



Instant Table™ Modular Display Spec Sheet

Instant Table™

The Instant Table™ is a modular display that is easily transportable, and sets up in seconds with no tools or additional parts. Lightweight and portable, this table can support hundreds of pounds and can be stacked into various configurations to change your display instantly.



Event Marketing Rental Industry Business & Civic Events Portable Signage Rental Industry Catering Events
 Instant Signage Corporate Events Catering Trade Shows Indoor & Outdoor Display Exhibit Booths
 Sponsorship Recognition Advertisement Party Rentals Commercial Use Racing Product Demonstrations

FEATURES:

- ◇ Sets Up in Seconds!™
No Tools Needed
No Loose Parts
- ◇ Sizes: 2' x 2' (0.6 m x 0.6 m) and 2' x 4' (0.6 m x 1.2 m)
- ◇ Stackable
- ◇ Lightweight and Portable
- ◇ Supports Distributed Weight Load
2' x 2' (0.6 m x 0.6 m) = 175 lbs. (79.4 kg)
2' x 4' (0.6 m x 1.2 m) = 300 lbs. (136.1 kg)
- ◇ Universal Aluminum Folding Top
- ◇ Fixed Shelf Positions
- ◇ Locking Table Connectors
- ◇ Soft Surface Footpads
- ◇ Push Button Toggles
- ◇ 3 Height Adjustments 31", 35" and 42" (80 cm, 90 cm and 107 cm)
- ◇ Includes Convenient Polyester Carry Bag (2' x 2' (0.6 m x 0.6 m) only) or Roller Bag (2' x 4' (0.6 m x 1.2 m) only)
- ◇ 2 Year Warranty

ACCESSORIES:

- ◇ Shelf Kit 2' x 2' & 2' x 4' (0.6 m x 0.6 m & 0.6 m x 1.2 m) (Not Interchangeable)
- ◇ Expandable Leaf Kit (For Top)
- ◇ Leaf Shelf Kit
- ◇ Wheels
- ◇ Soft Surface Footpads (Included)

CUSTOM COVERS:

- ◇ Stretch Fit
- ◇ Table Cover
- ◇ Fabric Skirt

CUSTOM GRAPHIC OPTIONS:

- ◇ Imprint Graphics
- ◇ Full - Bleed Digital Printing



**PLACE YOUR
DEALER INFORMATION
HERE**



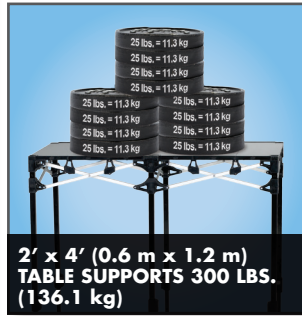
Instant Table™ Modular Display Spec Sheet



STACKABLE TOWER



ADJUSTABLE HEIGHTS



**2' x 4' (0.6 m x 1.2 m)
TABLE SUPPORTS 300 LBS.
(136.1 kg)**



ROLLING CART



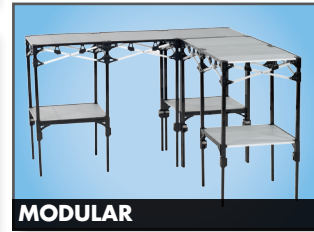
WHEELS



EXPANDABLE LEAF KIT



CARRY BAG



MODULAR



ADJUSTABLE SHELF KIT



LOCKING CONNECTORS

PRODUCT NAME	INSTANT TABLE™		SHELF KIT	LEAF KIT AND LEAF SHELF KIT
SIZE	2' x 2' (0.6 m x 0.6 m)	2' x 4' (0.6 m x 1.2 m)	2' x 2' OR 2' x 4' (0.6 m x 0.6 m OR 0.6 m x 1.2 m)	2' x 2' (0.6 m x 0.6 m)
PRODUCT INCLUDES	1 - 2' x 2' (0.6 m x 0.6 m) Frame 1 - Folding Top Panel 1 - Carry Bag 4 - Soft Surface Foot Pads	1 - 2' x 4' (0.6 m x 1.2 m) Frame 2 - Folding Top Panels 1 - Roller Bag 6 - Soft Surface Foot Pads	2 Shelf Braces to Fit 2' x 2' OR 2' x 4' (0.6 m x 0.6 m OR 0.6 m x 1.2 m) Instant Table™ 1 - Folding Top Panel 1 - Shelf Kit Carry Bag	2 - Leaf Braces 1 - Folding Top/Shelf Panel 1 - Carry Bag 4 - Connector Plugs
WARRANTY	2 Years			
HEIGHT	31" • 35" • 42" (80 cm • 90 cm • 107 cm)	31" • 35" • 42" (80 cm • 90 cm • 107 cm)	3 Adjustable Height Positions	
MAX WEIGHT LOAD	175 lbs. (79.4 kg)	300 lbs. (136.1 kg)	50 lbs. (22.7 kg)	Leaf Top 100 lbs. (45.4 kg) Leaf Shelf 50 lbs. (22.7 kg)
ITEM WEIGHT	22 lbs. (10.0 kg)	40 lbs. (18.1 kg)	10 lbs. – 11 lbs. (4.5 kg - 5.0 kg)	22 lbs. (10.0 kg)
PACKAGE WEIGHT	23 lbs. (10.4 kg)	42 lbs. (19.1 kg)	11 lbs. – 12 lbs. (5 kg - 5.4 kg)	23 lbs. (10.4 kg)
BOX DIMENSIONS	33" L x 9" W x 9.5" H (84 cm x 23 cm x 24 cm)	33" L x 9.5" W x 16.5" H (84 cm x 24 cm x 42 cm)	24" L x 12" W x 10" H (61 cm x 30 cm x 25 cm)	33" L x 9" W x 9.5" H (84 cm x 23 cm x 24 cm)

PRODUCT NAME	CONNECTOR PLUGS	FOOT PADS (4)	WHEELS (4)	TABLE TOPS
ITEM WEIGHT	.20 lbs. (0.1 kg)	.50 lbs. (0.2 kg)	.60 lbs. (0.3 kg)	6 lbs. (2.7 kg)
PACKAGE WEIGHT	2 lbs. (0.9 kg)	2 lbs. (0.9 kg)	2.3 lbs. (1.0 kg)	7 lbs. (3.2 kg)
BOX DIMENSIONS	12" L x 4" W x 3" H (30 cm x 10 cm x 8 cm)	4" L x 3" W x 3" H (10 cm x 8 cm x 8 cm)	4" L x 3" W x 3" H (10 cm x 8 cm x 8 cm)	18" L x 4" W x 3" H (46 cm x 10 cm x 8 cm)

PLACE YOUR
DEALER INFORMATION
HERE



Instant Table™ Covers & Skirts Spec Sheet



PRODUCT NAME	INSTANT TABLE™ COVERS			INSTANT TABLE™ SKIRTS		
STANDARD SIZE	2' x 2' x 30" (0.6 m x 0.6 m x 80 cm)	2' x 2' x 35" (0.6 m x 0.6 m x 90 cm)	2' x 2' x 42" (0.6 m x 0.6 m x 107 cm)	2' x 2' x 30" (0.6 m x 0.6 m x 80 cm)	2' x 2' x 35" (0.6 m x 0.6 m x 90 cm)	2' x 2' x 42" (0.6 m x 0.6 m x 107 cm)
	2' x 4' x 30" (0.6 m x 1.2 m x 80 cm)	2' x 4' x 35" (0.6 m x 1.2 m x 90 cm)	2' x 4' x 42" (0.6 m x 1.2 m x 107 cm)	2' x 4' x 30" (0.6 m x 1.2 m x 80 cm)	2' x 4' x 35" (0.6 m x 1.2 m x 90 cm)	2' x 4' x 42" (0.6 m x 1.2 m x 107 cm)
MODULAR SIZE	2' x 6' x 30" (0.6 m x 1.8 m x 80 cm)	2' x 6' x 35" (0.6 m x 1.8 m x 90 cm)	2' x 6' x 42" (0.6 m x 1.8 m x 107 cm)	2' x 6' x 30" (0.6 m x 1.8 m x 80 cm)	2' x 6' x 35" (0.6 m x 1.8 m x 90 cm)	2' x 6' x 42" (0.6 m x 1.8 m x 107 cm)
	2' x 8' x 30" (0.6 m x 2.4 m x 80 cm)	2' x 8' x 35" (0.6 m x 2.4 m x 90 cm)	2' x 8' x 42" (0.6 m x 2.4 m x 107 cm)	2' x 8' x 30" (0.6 m x 2.4 m x 80 cm)	2' x 8' x 35" (0.6 m x 2.4 m x 90 cm)	2' x 8' x 42" (0.6 m x 2.4 m x 107 cm)
	2' x 10' x 30" (0.6 m x 3.0 m x 80 cm)	2' x 10' x 35" (0.6 m x 3.0 m x 90 cm)	2' x 10' x 42" (0.6 m x 3.0 m x 107 cm)	2' x 10' x 30" (0.6 m x 3.0 m x 80 cm)	2' x 10' x 35" (0.6 m x 3.0 m x 90 cm)	2' x 10' x 42" (0.6 m x 3.0 m x 107 cm)
PRODUCT INCLUDES	Professional Grade Fabric, Choice of Fabric Colors & Heavy Duty Zipper Back			Professional Grade Fabric, Choice of Fabric Colors & Open Top Panel Skirt Wrap		
HEIGHT	30" (80 cm)	35" (90 cm)	42" (107 cm)	30" (80 cm)	35" (90 cm)	42" (107 cm)
ITEM WEIGHT	3 lbs. – 3.5 lbs. (1.4 kg - 1.6 kg)	3.5 lbs. – 4 lbs. (1.6 kg - 1.8 kg)	4 lbs. – 4.5 lbs. (1.8 kg - 2.0 kg)	2.75 lbs. – 3 lbs. (1.2 kg - 1.4 kg)	3 lbs. – 4 lbs. (1.4 kg - 1.8 kg)	3.5 lbs. – 4 lbs. (1.6 kg - 1.8 kg)
PACKAGE WEIGHT	3.5 lbs. – 4.5 lbs. (1.6 kg - 2.0 kg)	4 lbs. – 4.5 lbs. (1.8 kg - 2.0 kg)	5 lbs. (2.3 kg)	3 lbs. – 4.5 lbs. (1.4 kg - 2.0 kg)	3.5 lbs. – 4 lbs. (1.6 kg - 1.8 kg)	4 lbs. – 5 lbs. (1.8 kg - 2.3 kg)
BOX DIMENSIONS	14" L x 12" W x 2" H (36 cm x 30 cm x 5 cm)	14" L x 12" W x 2" H (36 cm x 30 cm x 5 cm)	14" L x 12" W x 2" H (36 cm x 30 cm x 5 cm)	14" L x 12" W x 2" H (36 cm x 30 cm x 5 cm)	14" L x 12" W x 2" H (36 cm x 30 cm x 5 cm)	14" L x 12" W x 2" H (36 cm x 30 cm x 5 cm)

PLACE YOUR
DEALER INFORMATION
HERE

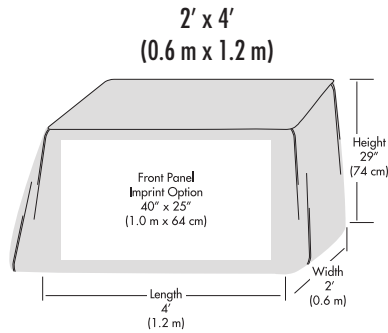
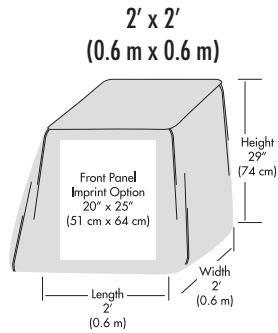


Instant Table™ Custom Covers Spec Sheet



E-Z UP® Table Throws:

Note: Grey Area Shows Full Bleed Digital Print Option



PRODUCT NAME	E-Z UP® TABLE THROWS	
SIZE	2' x 2' (0.6 m x 0.6 m)	2' x 4' (0.6 m x 1.2 m)
TABLE HEIGHT	29" (74 cm)	
PRODUCT INCLUDES	Professional Grade Fabric	
PRODUCT COMPATIBILITY	Instant Table™	Instant Table™ Vendor Table
SHIPPING WEIGHT	5 lbs. (2.3 kg)	6 lbs. (2.7 kg)
BOX DIMENSIONS	14.5" L x 13.5" W x 2.5" H (37 cm x 34 cm x 6 cm)	
WARRANTY	1 Year	

PLACE YOUR
DEALER INFORMATION
HERE